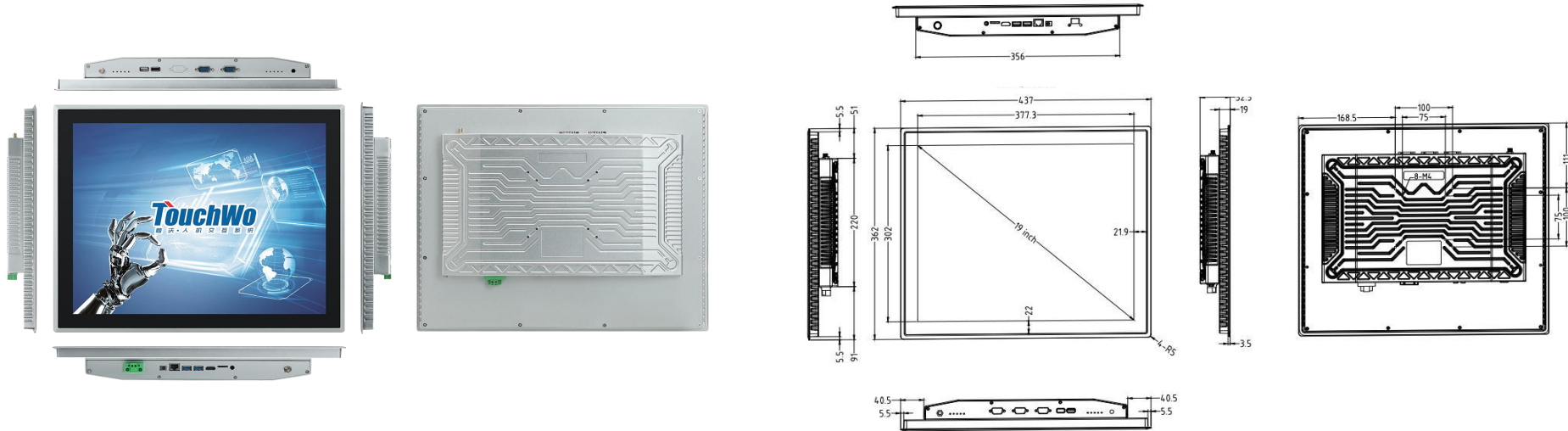


TouchWo®

19" Android Touch Pc

Model : DM19F

Views & Dimensions



Features

- **24/7 Commercial Use**

Industrial-grade Power Supply

30,000-hour extended life LCD display

- **Wall mounted/desktop stand/embedded etc**

- **Stylish Appearance**

Full aluminum alloy frame

Efficient heat dissipation

- **Surface IP65 waterproof**



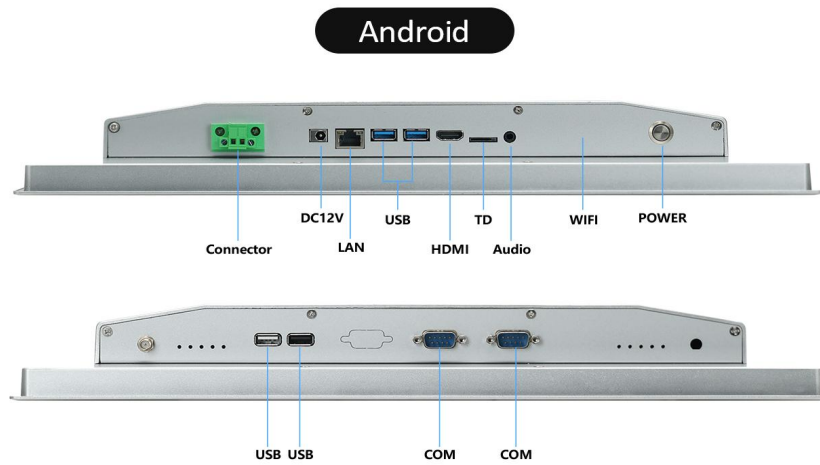
Tech Specs

	LCD Panel (Standard)	LCD Panel (Industrial)		
Screen diagonal	19inch		Touch technology	PCAP
Physical resolution	1280*1024		Response time	<5ms
Aspect ratio	4:3		Touch points	10 points standard
Display active screen size (mm)	377.3*302 m		Touch effective recognition	>1.5mm
Refrash Rate	60 Hz		Touch Panel Scanning Frequency	200Hz
Brightness (cd/m2)	≥250cd/m2	≥350cd/m2	Scanning accuracy	4096 * 4096
Contrast	≥ 1000: 1		Working Current/Voltage	180Ma/DC+5V±5%
Colours displayed	16.7M	16.7M,72% NTSC	Surface Hardness	Mohs class 7 explosion-proof glass
Backlight Lifetime (hours)	LED 30000	LED 30000		
Visual Angle H/V (°)	89/89/89/89 (Typ.)(CR≥10)			
Power Input	110-240V AC 50/60Hz		Manual	* 1
Power Output	DC 12V3A		Snap	* 4
Standby power consumption	≤0.5W		WIFI antenna	* 1
Overall power consumption	<30W		Power Adapter&cable	* 1

Operation Environment	Operation Temperature	0~50℃	Dimension	Machine(mm)	437(W)*362(H)*52.5(T) mm
	Operation Humidity	10% - 80%		Embedded opening size(mm)	428(W)*353.5(H) mm
	Storage Temperature	-5℃-60℃		Net weight	6.16 KG
	Storage Humidity	10% - 85%		Gross weight	7.88KG
	EMC	CE/FCC Class B		Mounting bracket	Embedded/Wall mounted

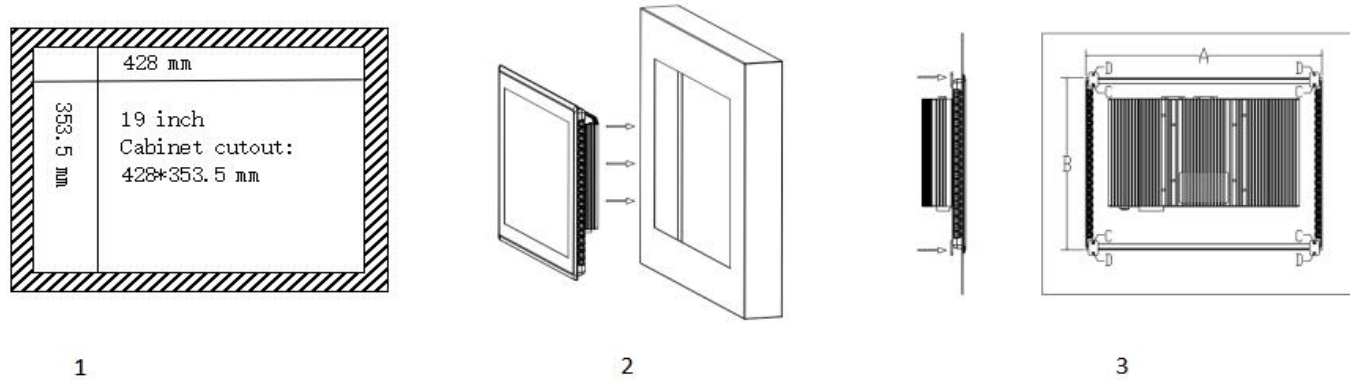
Android System	CPU	Rockchip RK3568	Rockchip RK3288	Rockchip RK3588
	Graphic GPU	ARM G52 2EE	Mali-T864	Mali-G610
	Audio	-	-	-
	Memory	2G (4G optional)	2G (4G optional)	4G (8G optional)
	Storage	32G eMMC	16G eMMC	64G/128G eMMC
	Network	10/100M RJ45, 802.11 a/b/g/n/ac Wifi	100/1000M RJ45, 802.11 a/b/g/n/ac Wifi	100/1000M RJ45,802.11 a/b/g/n/ac Wifi
	Pre-installed OS	Android 11	Android 9	Android 12

External Connectors



RJ45 Ports	* 1	Earphone	* 1	USB (with OTG)	* 4	COM	TTL(232/485 options)
DC In	2.1mm DC12V*1/2P Phoenix Terminal*1	HDMI out	* 1	WIFI	* 1		

Installation Diagram



Step 1:Open the holes according to the size as 1

Step 2:Push machine from the outside to the inside embedded,as shown in 2

Step 3:Fix the card in the back shell C screw holes,use a screwdriver to tighten the screws at D, the installation is complete,as shown in 3

Use Case

