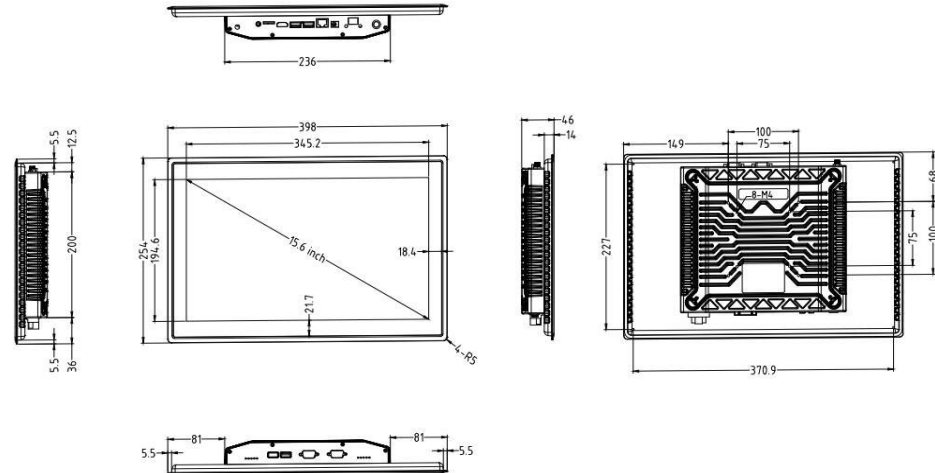
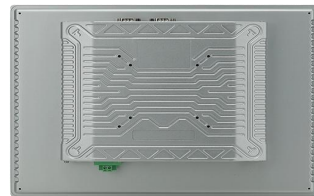


# TouchWo® 15.6" Touch Screen Monitor

Model : DM156F

## Views & Dimensions



## Features

- **24/7 Commercial Use**

Industrial-grade Power Supply

30,000-hour extended life LCD display

- **Wall mounted/desktop stand/embedded etc**

- **Stylish Appearance**

Full aluminum alloy frame

Efficient heat dissipation

- **Surface IP65 waterproof**

CE FC RoHS

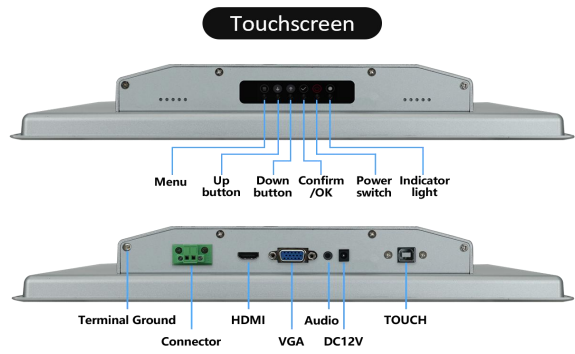
## Tech Specs

	LCD Panel (Standard)	LCD Panel (Industrial)			
<b>LCD Panel</b>	<b>Screen diagonal</b>	15.6inch	<b>Touch Panel</b>	<b>Touch technology</b>	PCAP
	<b>Physical resolution</b>	1920*1080		<b>Response time</b>	<5ms
	<b>Aspect ratio</b>	16:9		<b>Touch points</b>	10 points standard
	<b>Display active screen size (mm)</b>	345.2*194.6 mm		<b>Touch effective recognition</b>	>1.5mm
	<b>Refrash Rate</b>	60 Hz		<b>Scanning Frequency</b>	200Hz
	<b>Brightness (cd/m2)</b>	≥250cd/m2		<b>Scanning accuracy</b>	4096 * 4096
	<b>Contrast</b>	≥ 800: 1		<b>Working Current/Voltage</b>	180Ma/DC+5V±5%
	<b>Colours displayed</b>	16.7M		262K,45% NTSC	<b>Surface Hardness</b>
<b>Backlight Lifetime (hours)</b>	LED 15000	LED 30000			
<b>Visual Angle H/V (°)</b>	85/85/85/85 (Typ.)(CR≥10)				

<b>Operation Environment</b>	<b>Operation Temperature</b>	0~50℃	<b>Dimension</b>	<b>Machine(mm)</b>	398(W)*254(H)*45.8(T)
	<b>Operation Humidity</b>	10% - 80%		<b>Embedded opening size(mm)</b>	388(W)*244(H)
	<b>Storage Temperature</b>	-5℃-60℃		<b>Net weight</b>	2.41 KG
	<b>Storage Humidity</b>	10% - 85%		<b>Gross weight</b>	3.97KG
	<b>EMC</b>	CE/FCC Class B		<b>Mounting bracket</b>	Embedded/Wall mounted

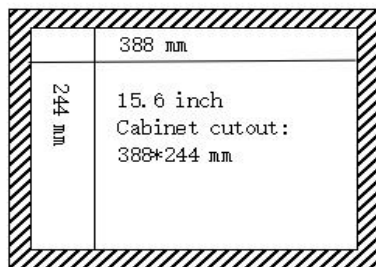
<b>Power supply parameters</b>	<b>Power Input</b>	100-240V AC 50/60Hz	<b>Included in the Delivery</b>	<b>Manual</b>	* 1
	<b>Power Output</b>	DC 12V3A		<b>Snap</b>	* 4
	<b>Standby power consumption</b>	≤0.5W		<b>Power Adapter&amp;cable</b>	* 1
	<b>Overall power consumption</b>	<20W		<b>HDMI/USB Cable</b>	* 1

## External Connectors

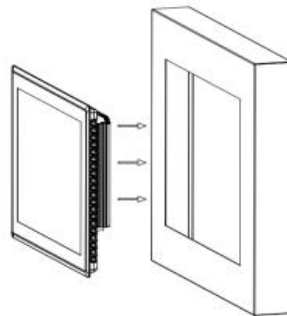


<b>DC2.1 In</b>	2.1mm DC12V*1/2P Phoenix Terminal*1	<b>Audio</b>	* 1	<b>VGA</b>	*1	<b>Earphone Output</b>	*1
<b>USB-B</b>	* 1	<b>HDMI input</b>	* 1	<b>DVI input</b>	*1		

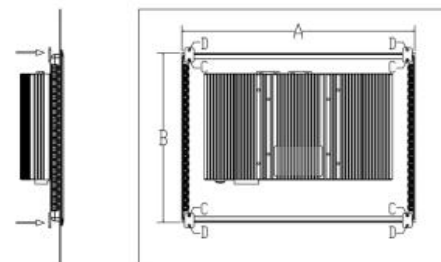
## Installation Diagram



1



2



3

Step 1: Open the holes according to the size as 1

Step 2: Push machine from the outside to the inside embedded, as shown in 2

Step 3: Fix the card in the back shell C screw holes, use a screwdriver to tighten the screws at D, the installation is complete, as shown in 3

## Use Case

