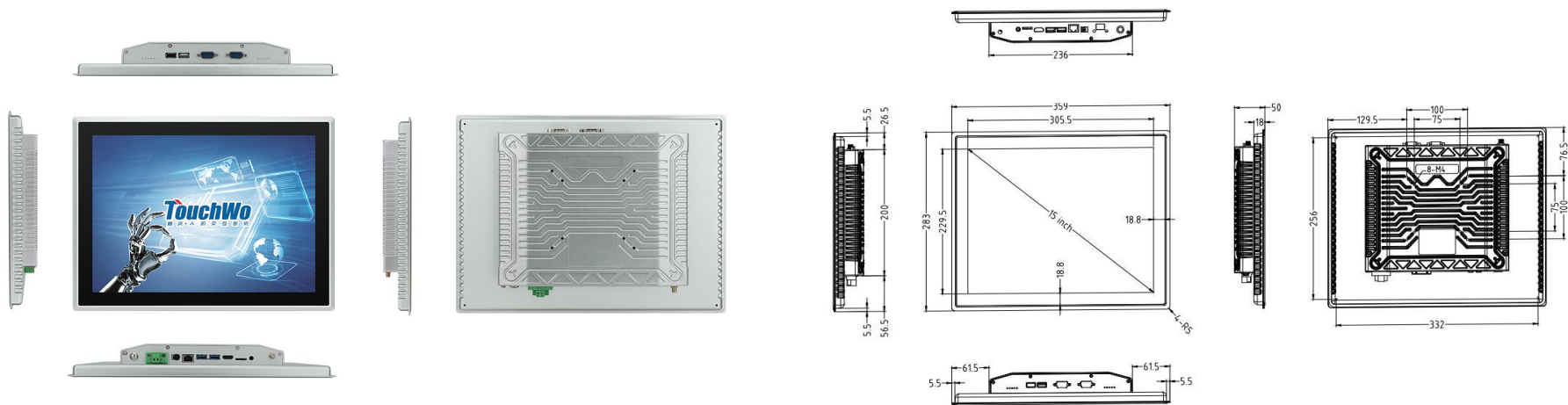


TouchWo®

15" Android Touch Pc

Model : DM15F

Views & Dimensions



Features

- **24/7 Commercial Use**
 - Industrial-grade Power Supply
 - 50,000-hour extended life LCD display
- **Wall mounted/desktop stand/embedded etc**
- **Aluminum structural design**
 - Full aluminum alloy frame
 - Efficient heat dissipation
- **Surface IP65 waterproof**



Tech Specs

LCD Panel	Screen diagonal	15inch	Touch technology	PCAP
	Physical resolution	1024*768	Response time	<5ms
	Aspect ratio	4:3	Touch points	10 points standard
	Display active screen size (mm)	305.5*229.5 mm	Touch effective recognition	>1.5mm
	Colours displayed	16.7M , 72% NTSC	Scanning Frequency	200Hz
	Brightness (cd/m2)	≥350cd/m2	Scanning accuracy	4096 * 4096
	Contrast	≥ 1000: 1	Working Current/Voltage	180Ma/DC+5V±5%
	Visual Angle H/V (°)	89/89/89/89 (Typ.)(CR≥10)	Surface Hardness	Mohs class 7 explosion-proof glass
	Backlight	WLED		
	Refrash Rate	60 Hz		
Backlight Lifetime (hours)	LED 50000			

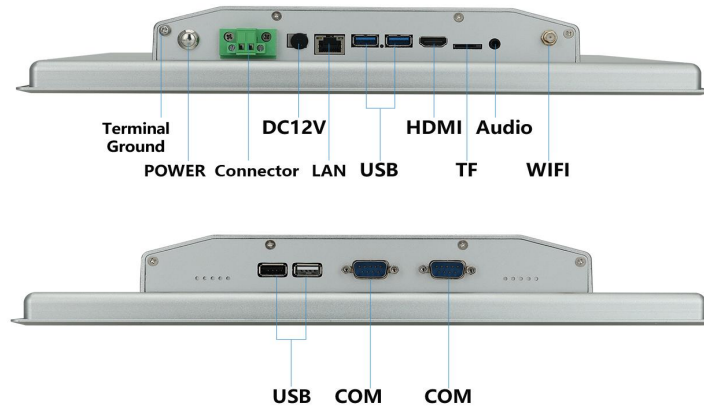
Power supply parameters	Power Input	100-240V AC 50/60Hz	Included in the Delivery	Manual	* 1
	Power Output	DC 12V3A		Snap	* 4
	Standby power consumption	≤0.5W		WIFI antenna	* 1
	Overall power consumption	<24W		Power Adapter&cable	* 1

Operation Environment	Operation Temperature	0~50℃	Dimension	Machine(mm)	359(W)*283(H)*50(T)
	Operation Humidity	10% - 80%		Embedded opening size(mm)	349*273
	Storage Temperature	-5℃-60℃		Net weight	3.8 KG
	Storage Humidity	10% - 85%		Gross weight	4.35KG
	EMC	CE/FCC Class B		Mounting bracket	Embedded/Wall mounted

Android System	CPU	Rockchip RK3568	Rockchip RK3288/3399	Rockchip RK3588
	Graphic GPU	ARM G52 2EE	Mali-T864	Mali-G610
	Audio	-	-	-
	Memory	2G (4G optional)	2G (4G optional)	4G (8G optional)
	Storage	32G eMMC	16G eMMC	64G/128G eMMC
	Network	10/100M RJ45, 802.11 a/b/g/n/ac Wifi	100/1000M RJ45, 802.11 a/b/g/n/ac Wifi	100/1000M RJ45, 802.11 a/b/g/n/ac Wifi
	Pre-installed OS	Android 11	Android 7/9	Android 12

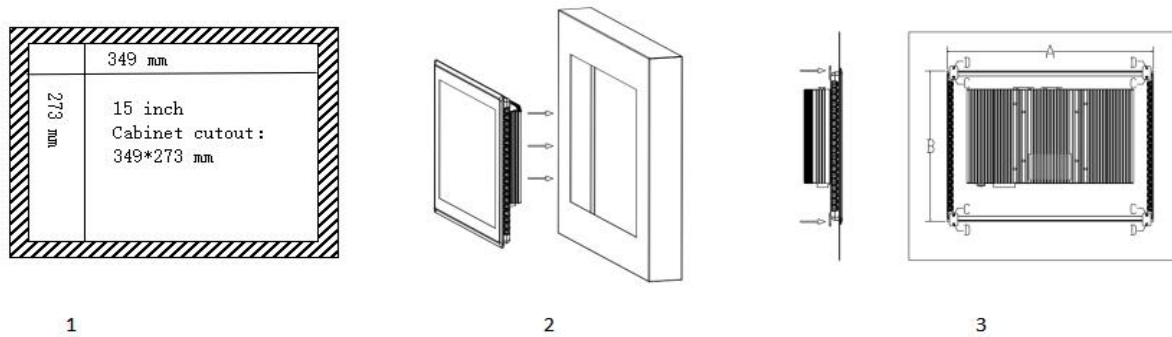
External Connectors

Android



RJ45 Ports	* 1	Earphone	* 1	USB (with OTG)	* 4	COM	TTL(232/485 options)
DC In	2.1mm DC12V*1/2P Phoenix Terminal*1	HDMI out	* 1	WIFI	* 1		

Installation Diagram



- Step 1: Open the holes according to the size as 1
Step 2: Push machine from the outside to the inside embedded, as shown in 2
Step 3: Fix the card in the back shell C screw holes, use a screwdriver to tighten the screws at D, the installation is complete, as shown in 3

Use Case

